

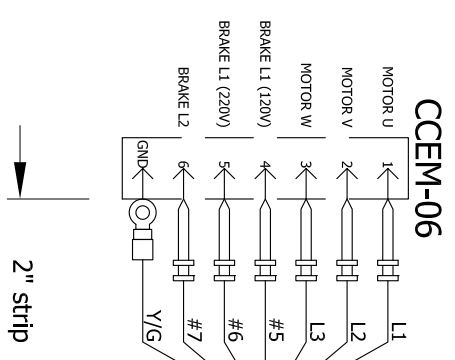
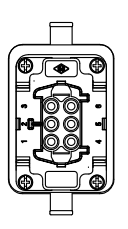
REVISIONS

Rev.	Drawn	Date	Revisions
A	GBC	2/13/17	Updated cable 120V/220V brake

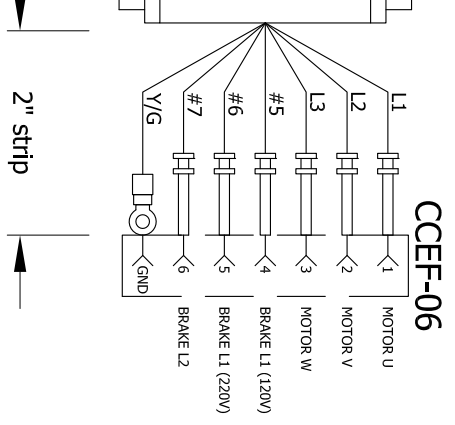
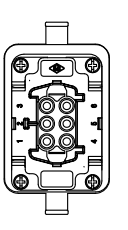


Apprentice Motor Cable  
 Wiring Diagram  
 Scale: NTS  
 Drawn on: 10/5/16  
 Drawn By: gbc

MENCOM CCEM-06  
 44mm x 27mm (6B)  
 6P 16A MALE



MENCOM CCEF-06  
 44mm x 27mm (6B)  
 6P 16A FEMALE



2" strip

2" strip

JRC 44mm x 27mm (6B) Hood PG21 typ of 2 (#1771)

PG21 cable gland typ of 2(#973)

12/4 + 16/2 + 16/2 Cable (#1779)

tolerances:  
 % : ±1/16"  
 .xx : ±0.010  
 .xxx : ±0.003

the information contained in the drawing is the property of creative conners inc.

E1