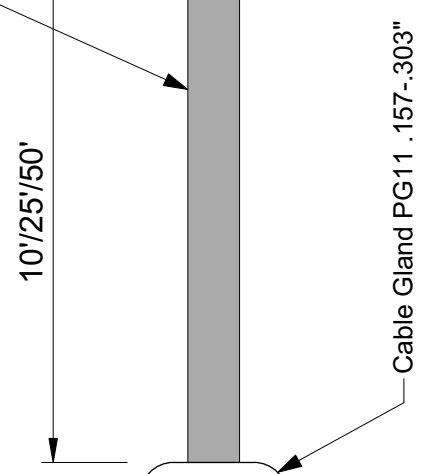


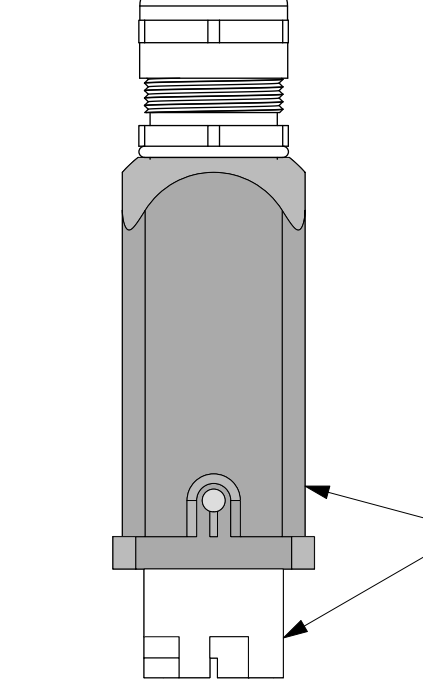
3A 12-Pole Male

- Insert
- ILME: CQM-12
- Harting: 09120123001
- Automation Direct: ZP-MC03A-1-MC012
-
- Crimps
- ILME: CDMA-0.3
- Harting: 09150006104
- Automation Direct: ZP-MC-CC-M10A-22



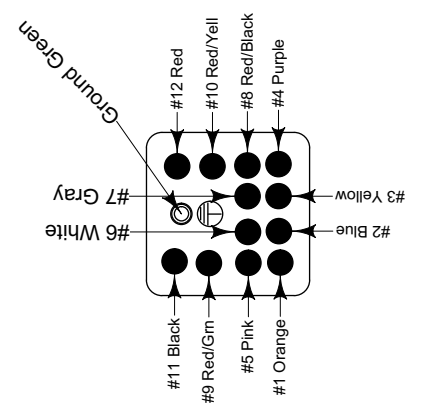
Cable Gland PG11 .157-.303"

- ILME: MCG-11
- Automation Direct: ZP-MC-CG-11M8



3A PG11 Hood

- ILME: CKA-03V S
- Harting: 09200031440
- Automation Direct: ZP-MC03A-2-STE11M



3A 12-Pole Female

- Insert
- ILME: CQF-12
- Harting: 09120123101
- Automation Direct: ZP-MC03A-1-FC012
-
- Crimps
- ILME: CDFA-0.3
- Harting: 09150006204
- Automation Direct: ZP-MC-CC-F10A-22

Showstopper 3 Accessory Cable
 scale: nts