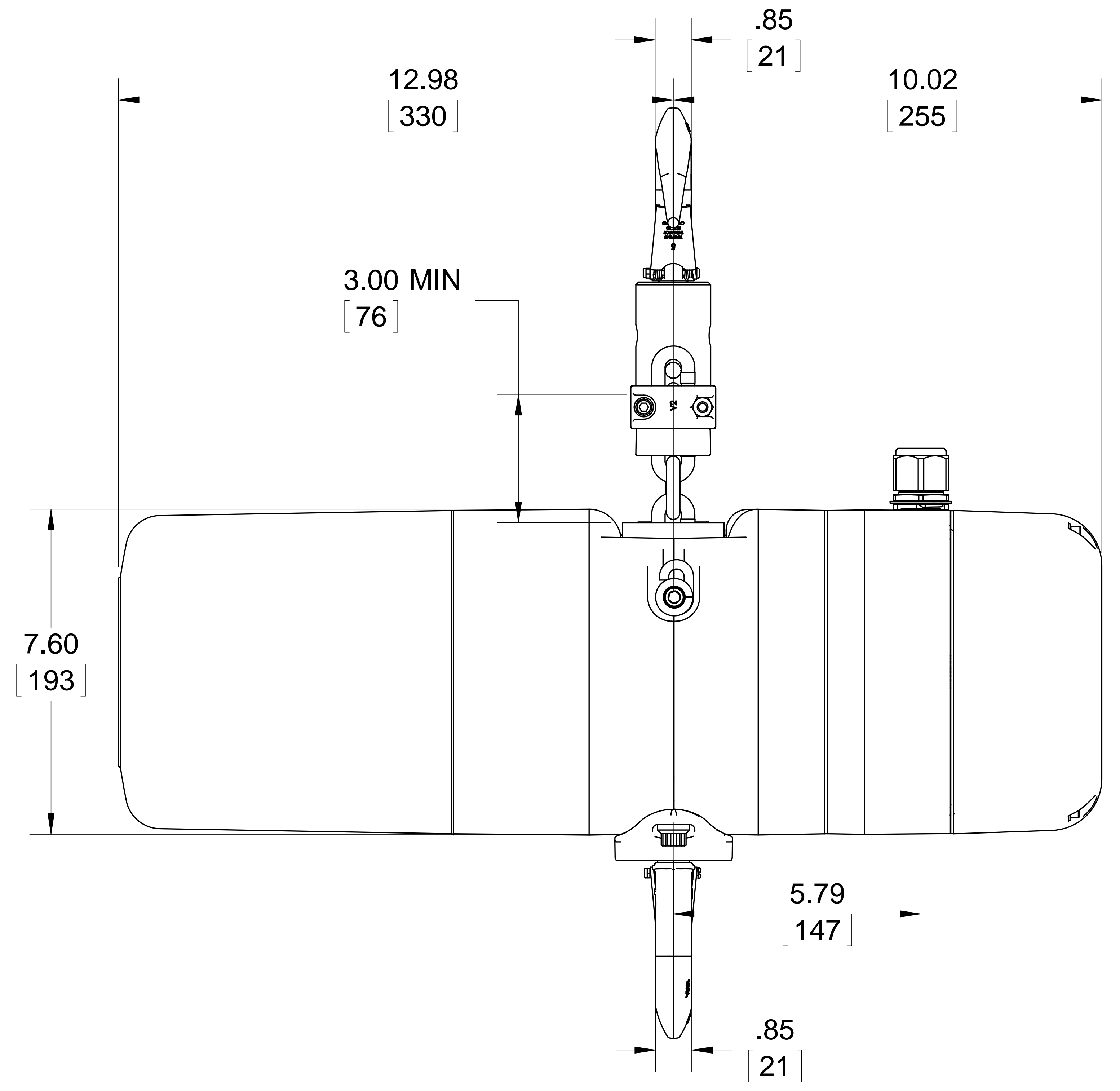
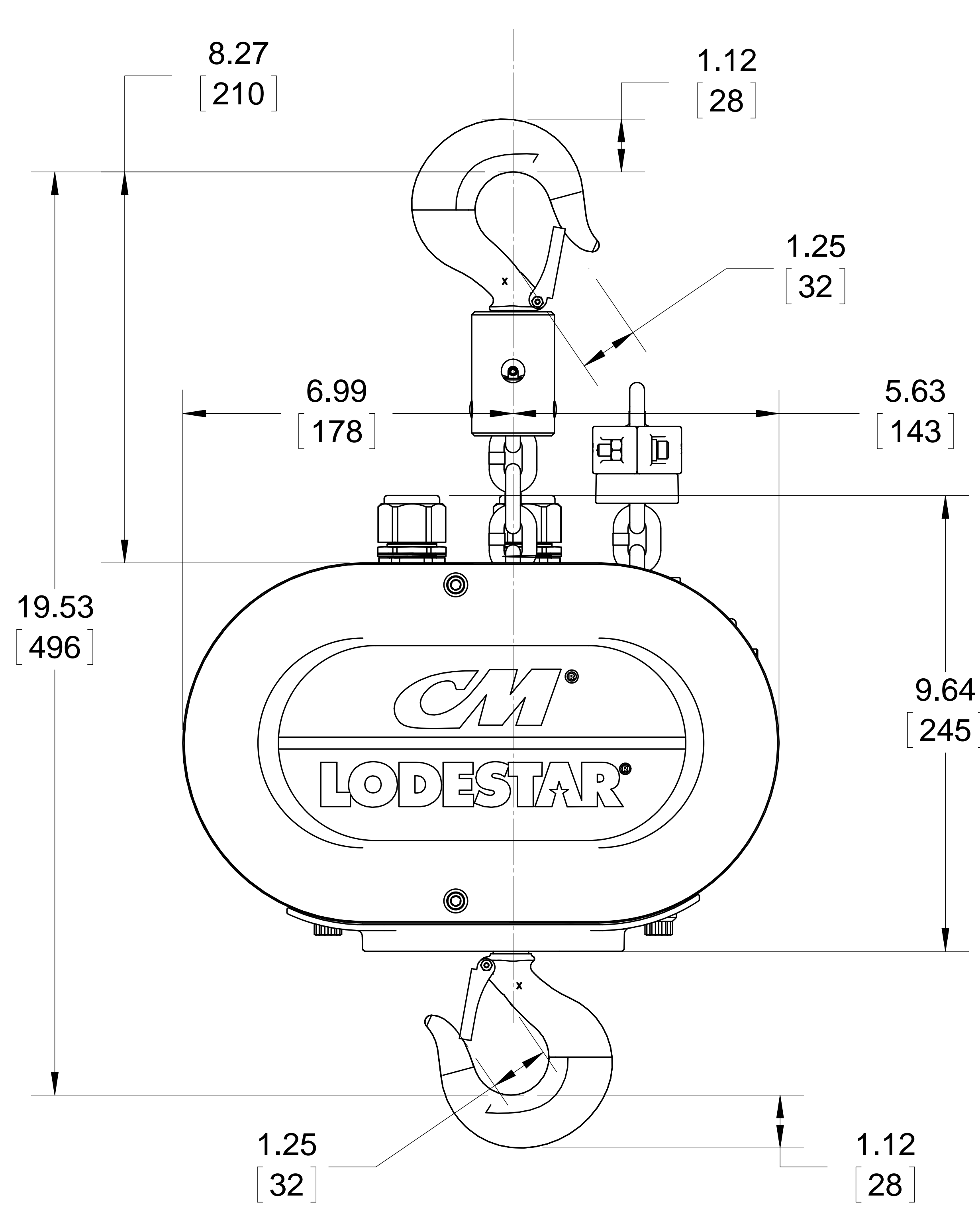


Columbus McKinnon Corporation
Amherst, NY USA



NOTICE TO PERSONS RECEIVING THIS DRAWING AND/OR TECHNICAL INFORMATION
 Columbus McKinnon Corporation (CMCO) claims proprietary rights in the material disclosed hereon. This drawing and/or technical information is issued in confidence for engineering information only and may not be reproduced or used to manufacture anything shown or referred to hereon without direct permission from CMCO to the user. This drawing and/or technical information is loaned for mutual assistance and is subject to recall by CMCO at any time. This drawing and/or technical information is the property of CMCO.

Standard Dimensional Tolerances Unless Otherwise Specified		Dimensional Units INCH	
	0' to 60'	Over 60'	
X	± .020	± .025	 Third Angle Projection
XX	± .010	± .015	
XXX	± .005	± .010	
Ang	± 0°30'	± 0°30'	



Columbus McKinnon Corporation
Hoist & Rigging - Americas
Amherst, NY USA

Material:		Description:	
Standard:		LODESTAR NH WEATHER RESISTANT	
Material No:		V2 D8 & D8+ LARGE FRAME	
Modeled:		07/28/2015	SDCCE
Drawn:		07/28/2015	SDCCE
Approved:			
Design Authority:		Muskegon	
Original project:		Hoist PDE	
Original scale:		1:4	

Format	Number:	Sheet
B	45516102	1/1

ECN	Rev.	Description of change	Date	By
-	-	-	-	-
-	-	-	-	-
-	-	-	-	-