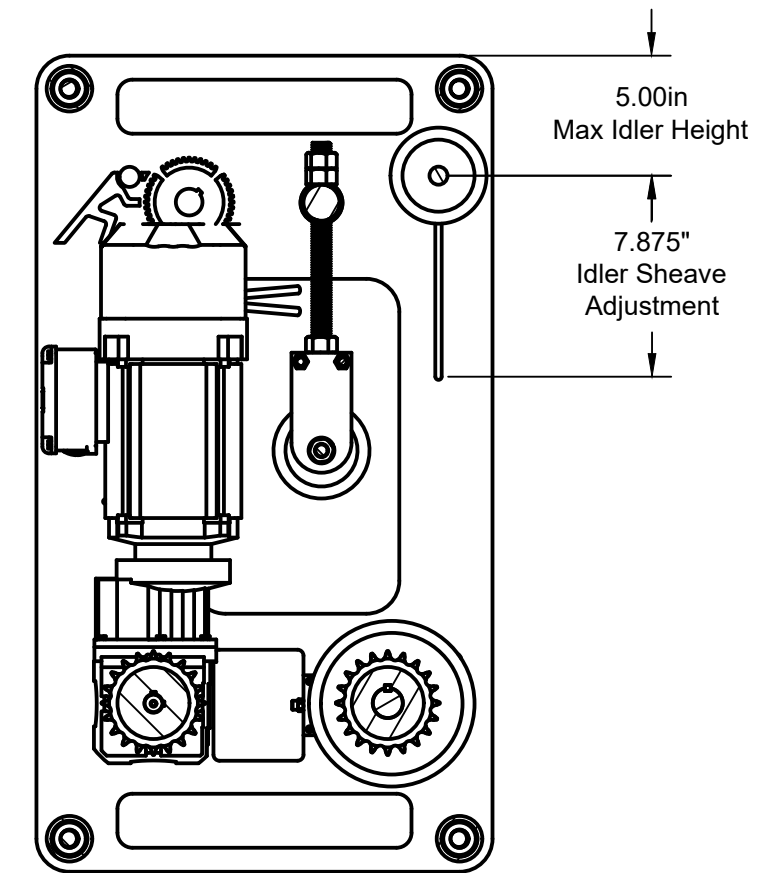
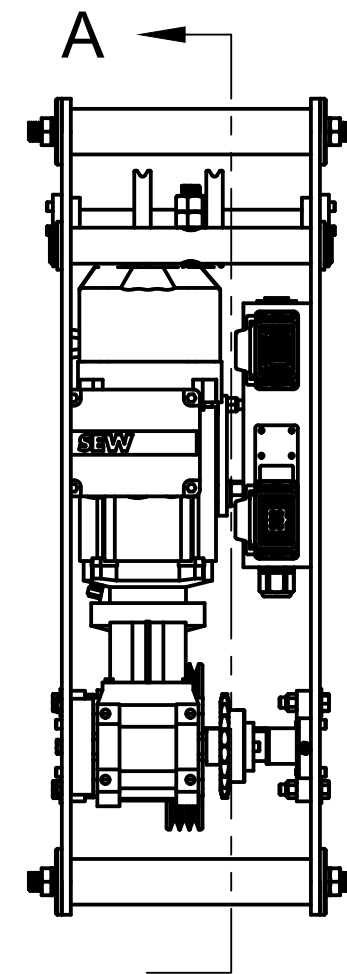
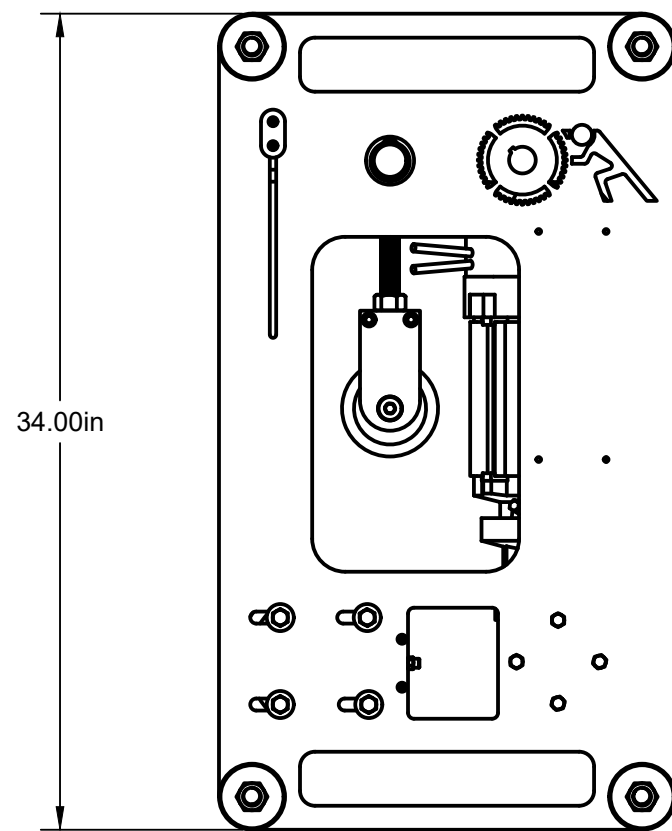
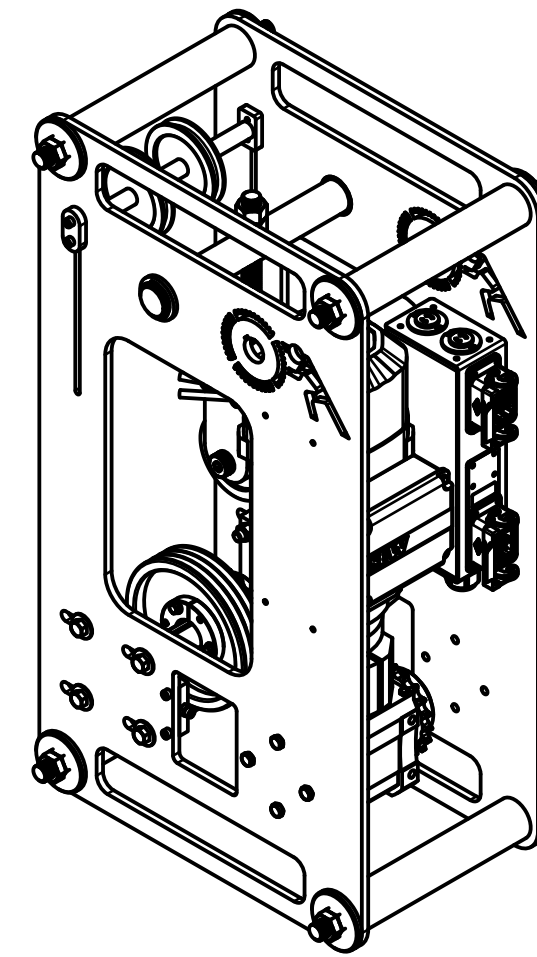
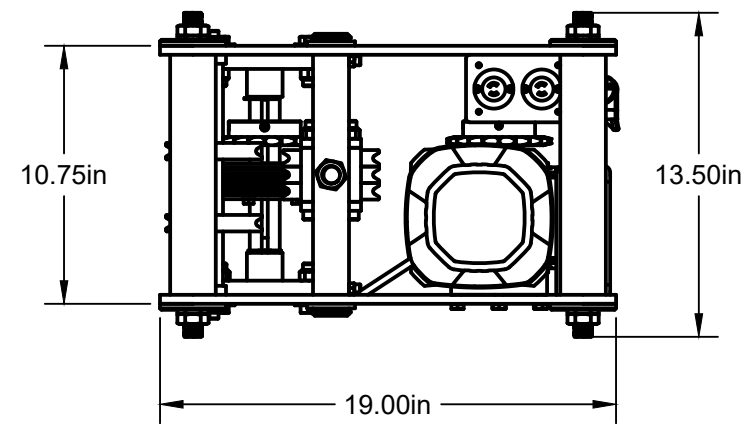
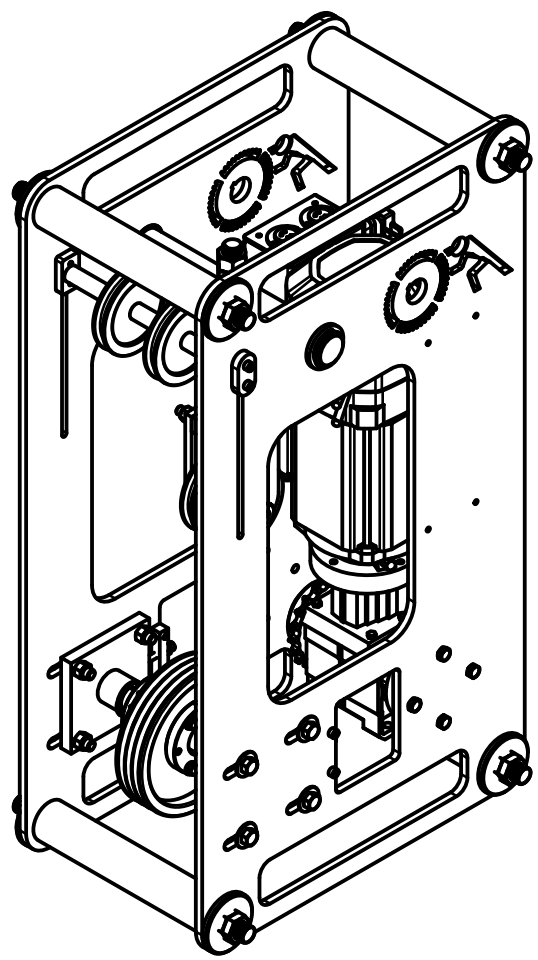


4

3

2

1



Curtain Call 2017 Specs	
Spec	Value
HP	1HP
Gear Ratio	18.94:1
Linear Speed	31"/sec
Unit Weight	218lbs

SECTION A-A
SCALE 1-1/2" = 1'-0"

	PROJECT Curtain Call 2017			
	TITLE Product Overview			
This drawing is the property of Creative Conners, Inc. Copyright 2018. All rights reserved.				
APPROVED	SIZE	CODE	DWG NO	REV
CHECKED	C			
DRAWN Mike Wade 6/22/2018	SCALE 1-1/2" = 1'-0"	WEIGHT	SHEET 1/1	

4

3

2

1