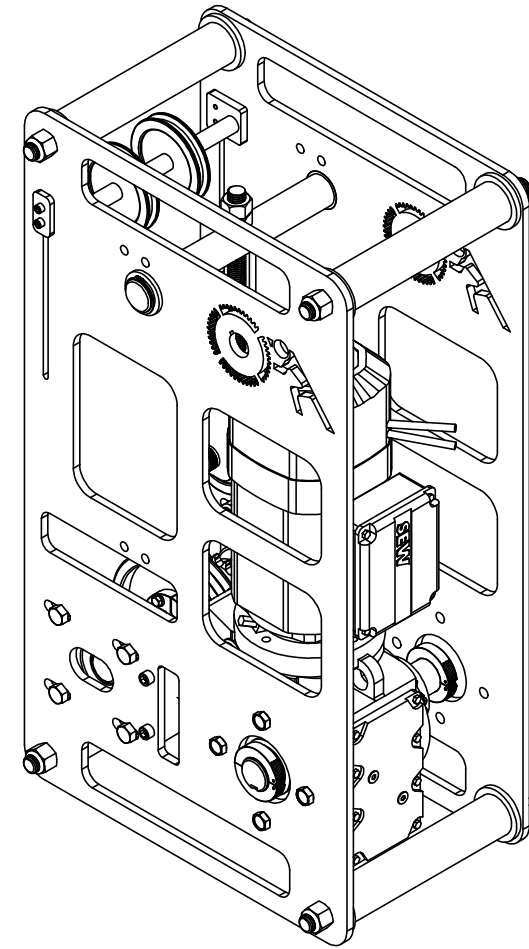
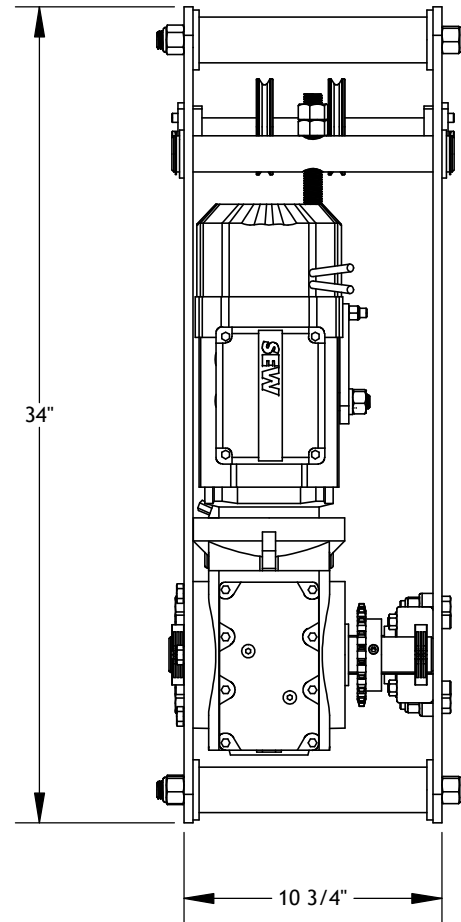
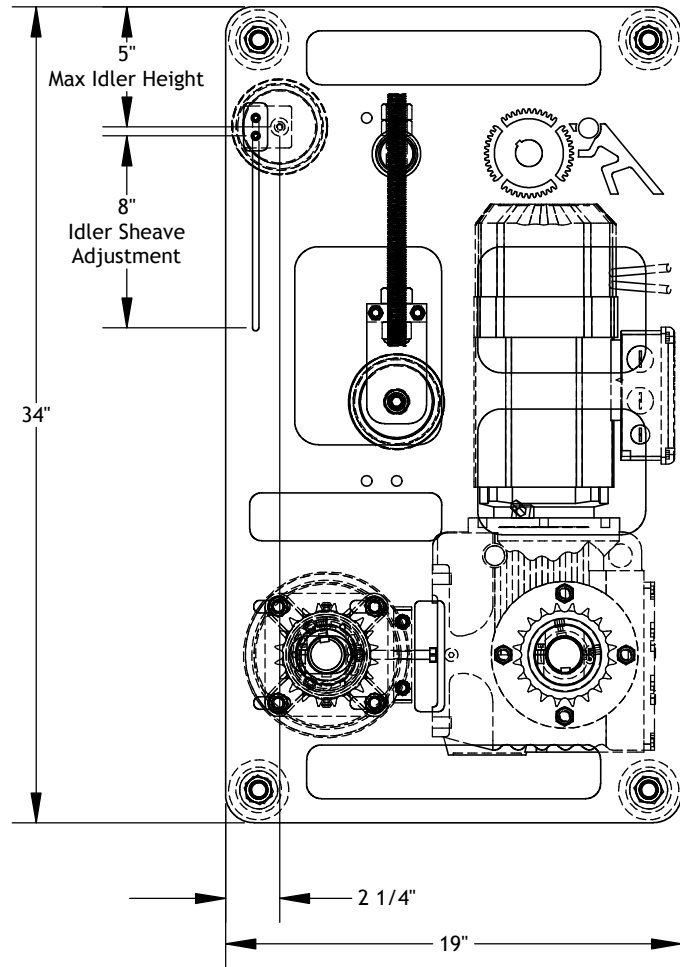
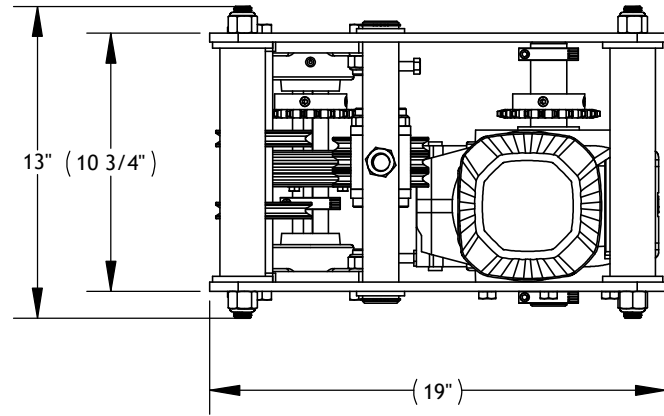


Spec	Value
HP, Gear Ratio	1HP, 20.37:1
Pull Rating	212#
Projected Max Load	1417#
Speed	31 in/sec
Unit Weight	218#



1 Curtain Call Overview
 CC11 scale = 1:8



Curtain Caller
 Product Overview
 Scale: As Noted
 Drawn on: 2/23/2012
 Revised on:

84 Cutler St., Unit #3
 Warren RI 02885
 V-461.289.2842 F-61.286.0279

the information contained in this drawing is the property of creative conners inc.

CC12