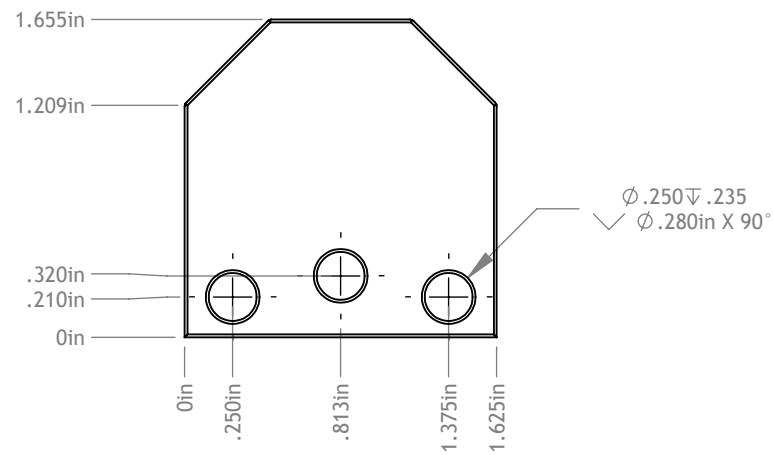
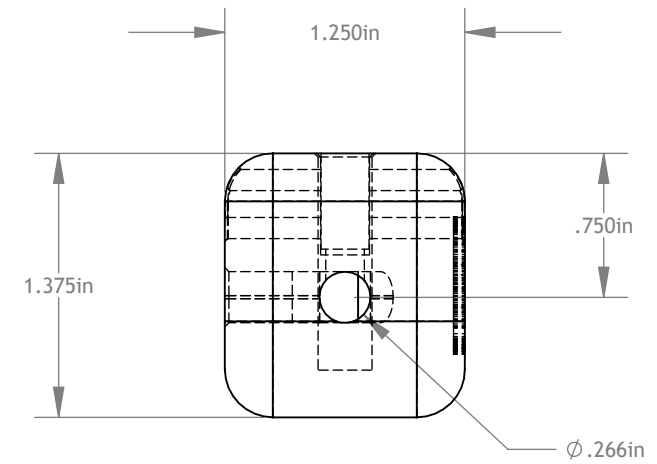
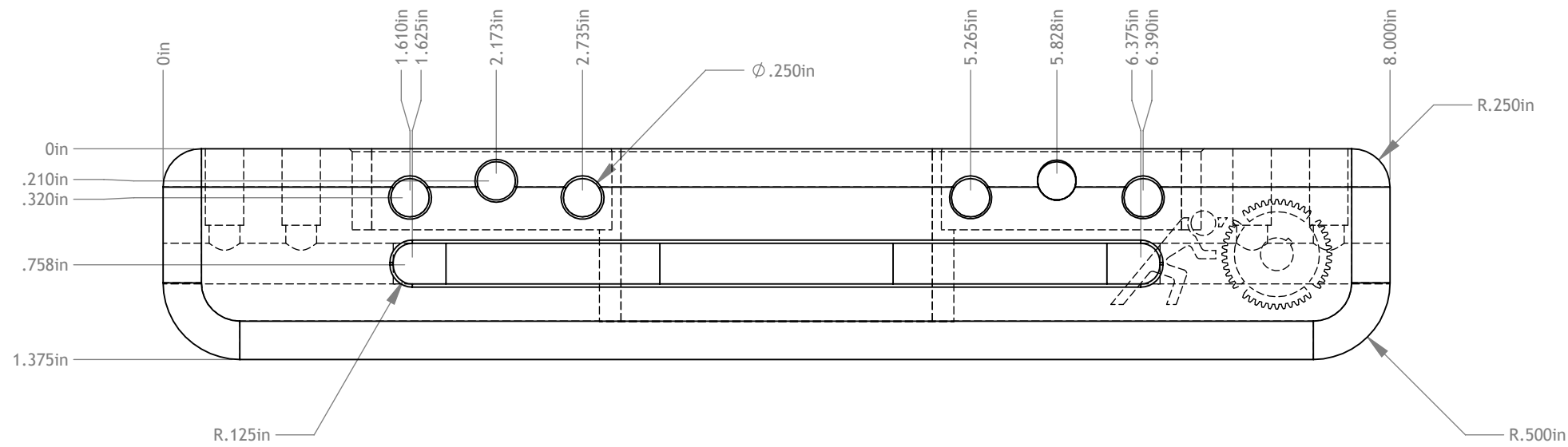
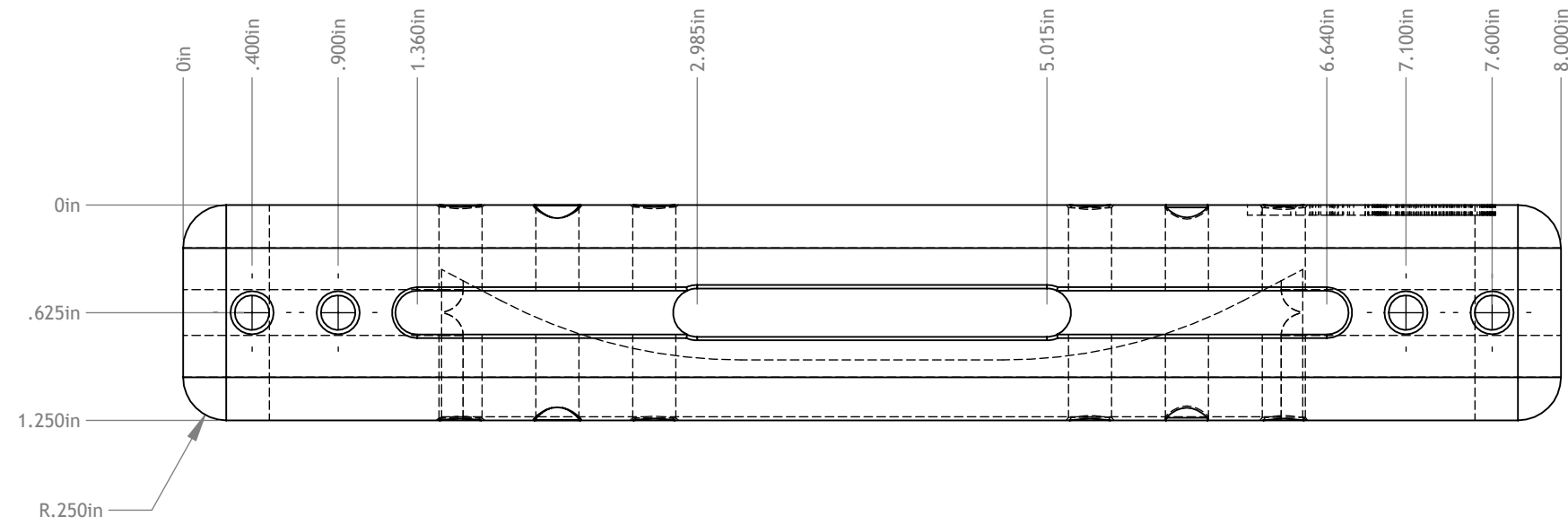


1 Deck Dog Overview
DD1 scale = 1:1



2 Deck Dog Ear
DD1 scale = 1:1
material is .25 aluminum



Material is Black Delrin

tolerances:
 $\frac{x}{y}$: $\pm \frac{1}{16}$ "
 .xx : ± 0.010
 .xxx : ± 0.003

the information
 contained in this
 drawing is the
 property of creative
 conners inc.

DD3