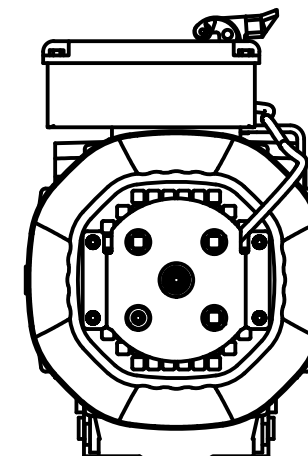


**Gearmotor - 5HP 73RPM - Apprentice**  
5 Views  
Scale 1:5



Gearmotor Specifications	
Gearmotor Current Rating	14.6A
Gearmotor Voltage	230VAC 60hz 3ph
Gearmotor Brake Voltage	230VAC 60hz 1ph
Motor Output Torque	4280 lb-in
Motor Output RPM	73RPM @ 60Hz, max 146RPM @ 120Hz
Encoder PPR	1024

Rev.	Drawn	Date	Revisions

tolerances:  
% : ±1/16"  
.xx : ±0.010  
.xxx : ±0.003

the information  
contained in the  
drawing is the  
property of creative  
conners inc.