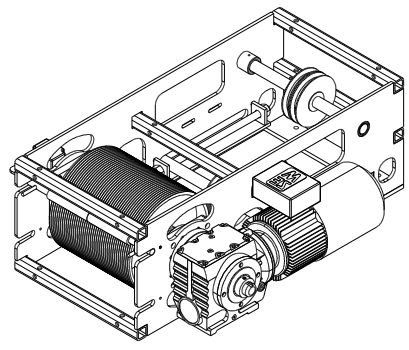
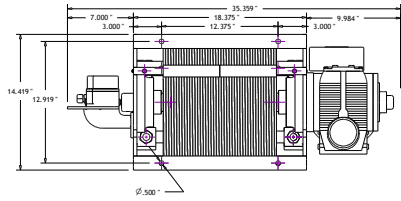


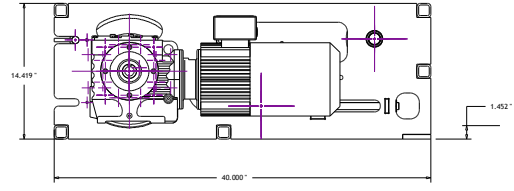
plan - 5hp pushstick  
1:1/2" = 1'-0"



iso. - 5hp pushstick  
1:1/2" = 1'-0"



elev. - 5hp pushstick  
1:1/2" = 1'-0"



side - 5hp pushstick  
1:1/2" = 1'-0"



SEW 5hp Pushstick  
 drawn 01/02/2005  
 revised  
 scale: 1:1/2" = 1'-0"

creative conners, inc.  
 10000 10th Avenue NE  
 Seattle, WA 98125  
 (206) 881-8800  
 www.creativeconners.com