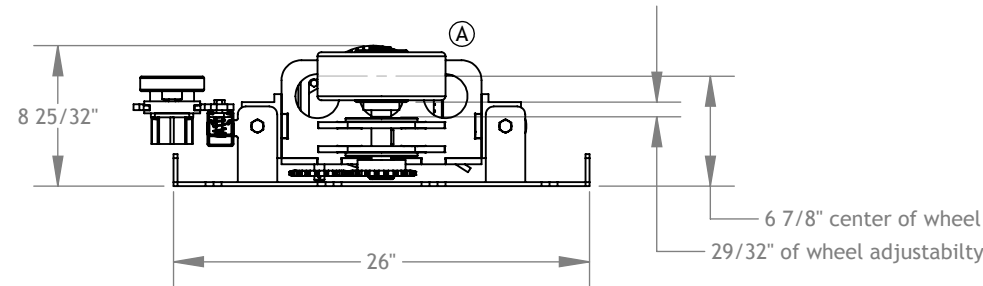
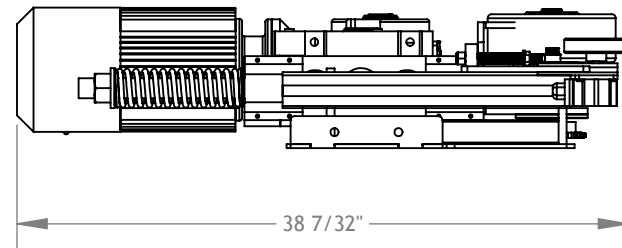
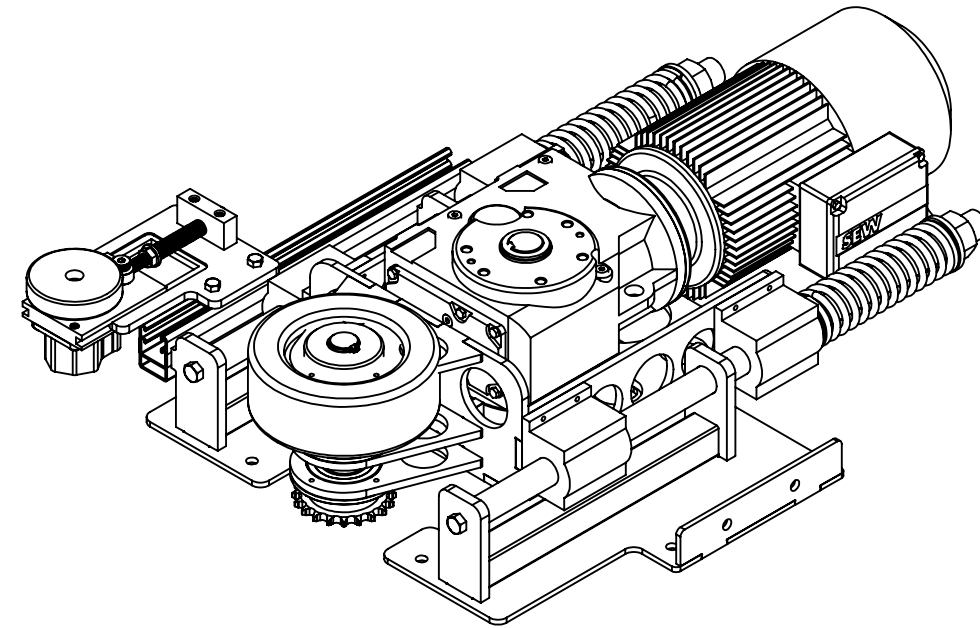
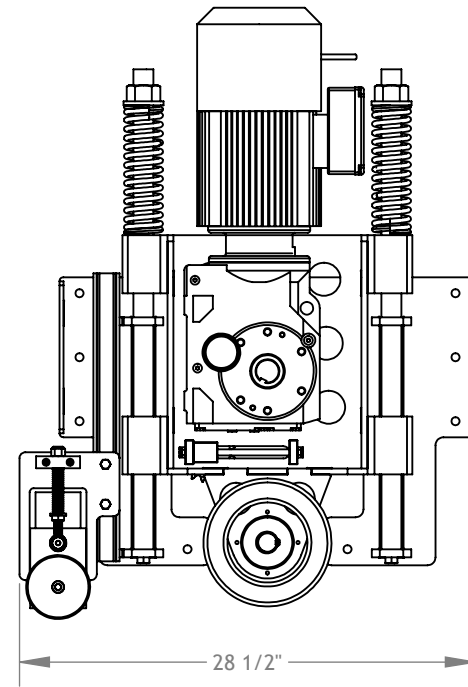


| REVISIONS | | | |
|-----------|-------|-----------|--|
| Rev. | Drawn | Date | Revisions |
| A | RLM | 11/7/2014 | Moved top bearing plate down to allow for wheel to travel higher |



Revolver
 Revolver Overview
 Scale: as noted
 Drawn on: 11/7/2014
 Revised on:



1 Revolver
 R1 scale = 1:12

the information contained in this drawing is the property of creative conners inc.

R1