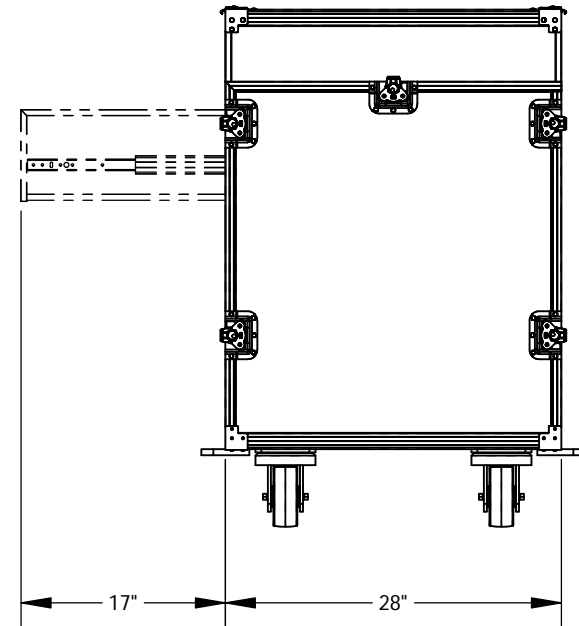
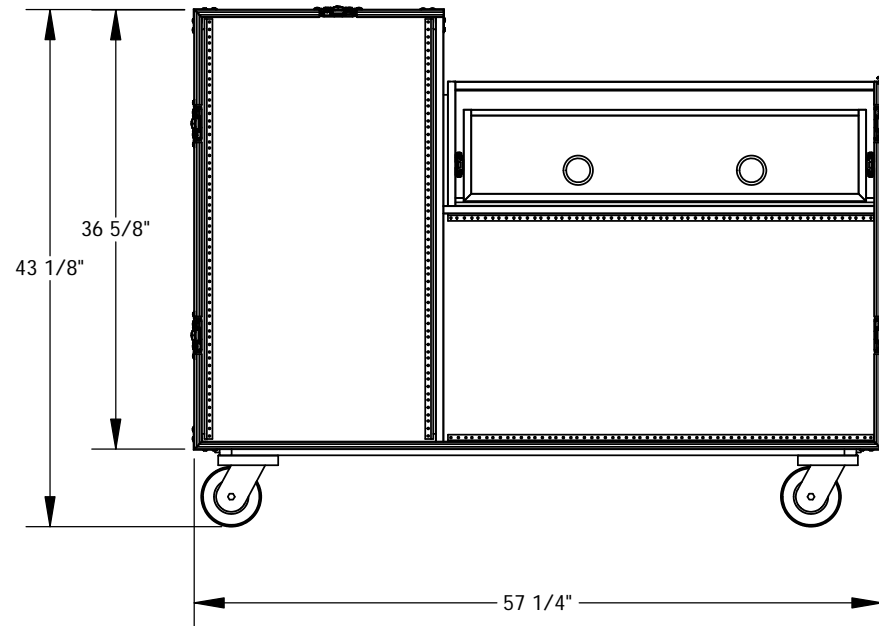
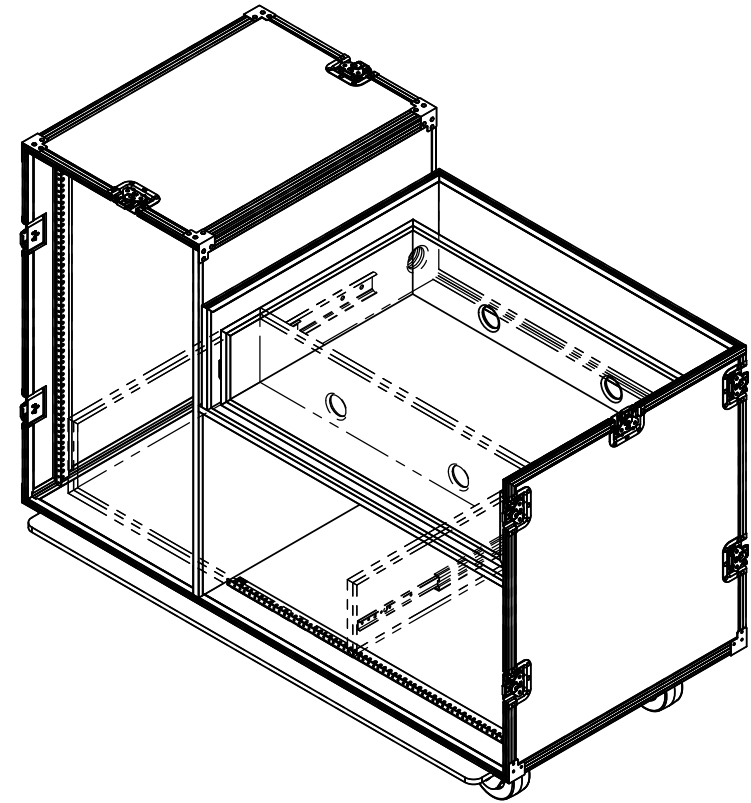
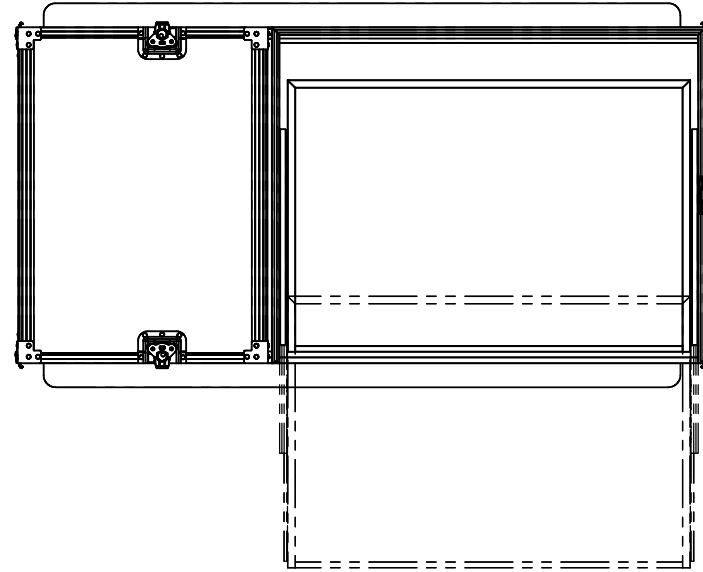


Note: View is shown with travelling covers installed



1 Roadie Overview

 R1 scale = 1:16

tolerances:

 1/16" : ± 1/16"

 .xx : ± 0.010

 .xxx : ± 0.003

the information

 contained in this

 drawing is the

 property of creative

 conners inc.

R1