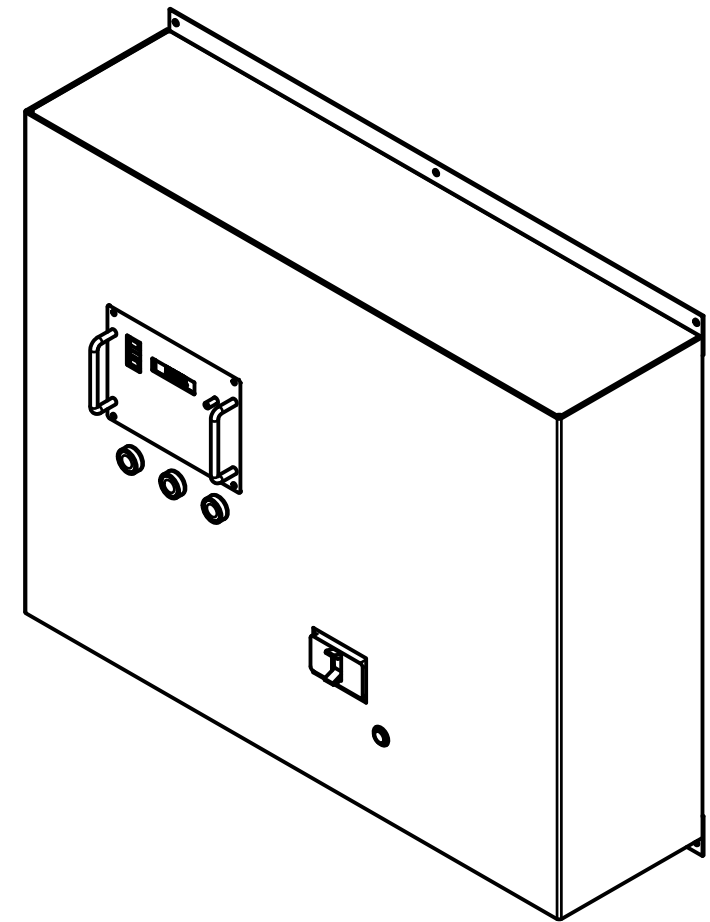
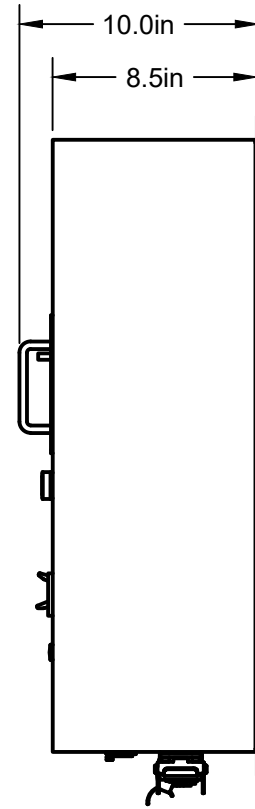
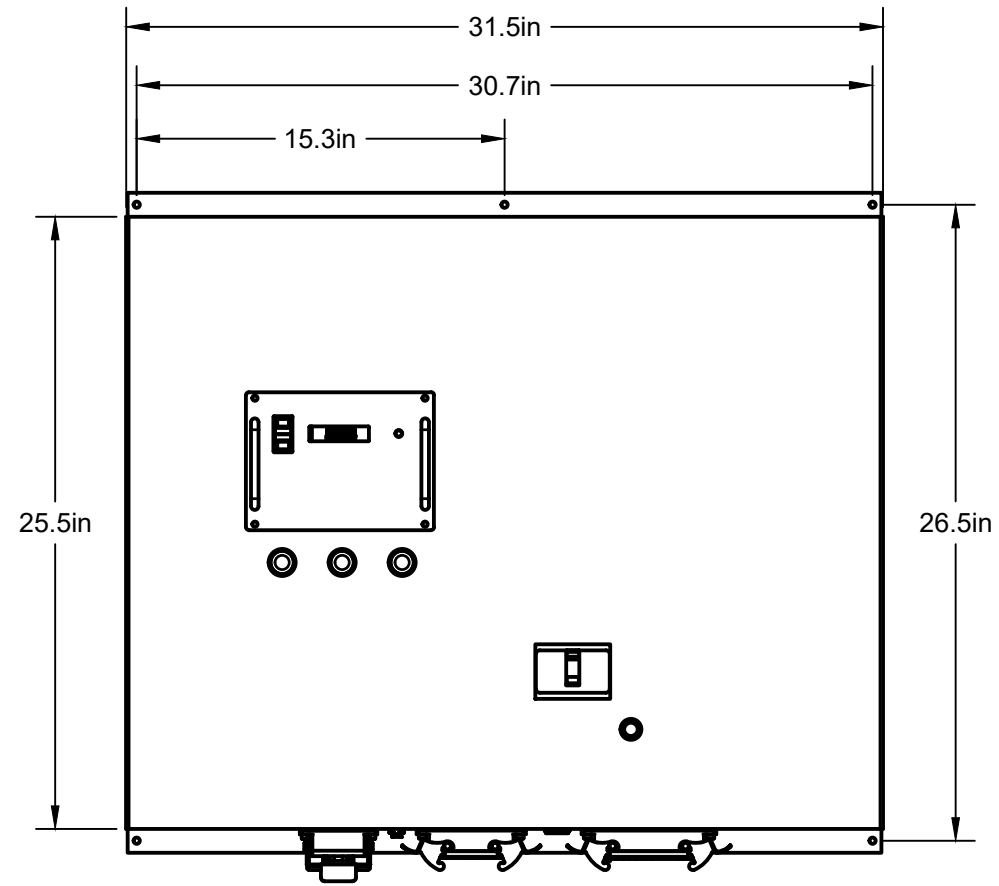



x/x = +/- 1/16"
 .xx = +/- 0.010
 .xxx = +/- 0.003



	PROJECT			
	Stagehand Pro – Architectural			
TITLE				
Stagehand Pro Architectural – 15HP				
This drawing is the property of Creative Conners, Inc. Copyright 2017. All rights reserved.				
APPROVED	SIZE	CODE	DWG NO	REV
CHECKED	B			
DRAWN Steve Hnath	4/24/2017	SCALE 1: 8	WEIGHT	SHEET 1/1