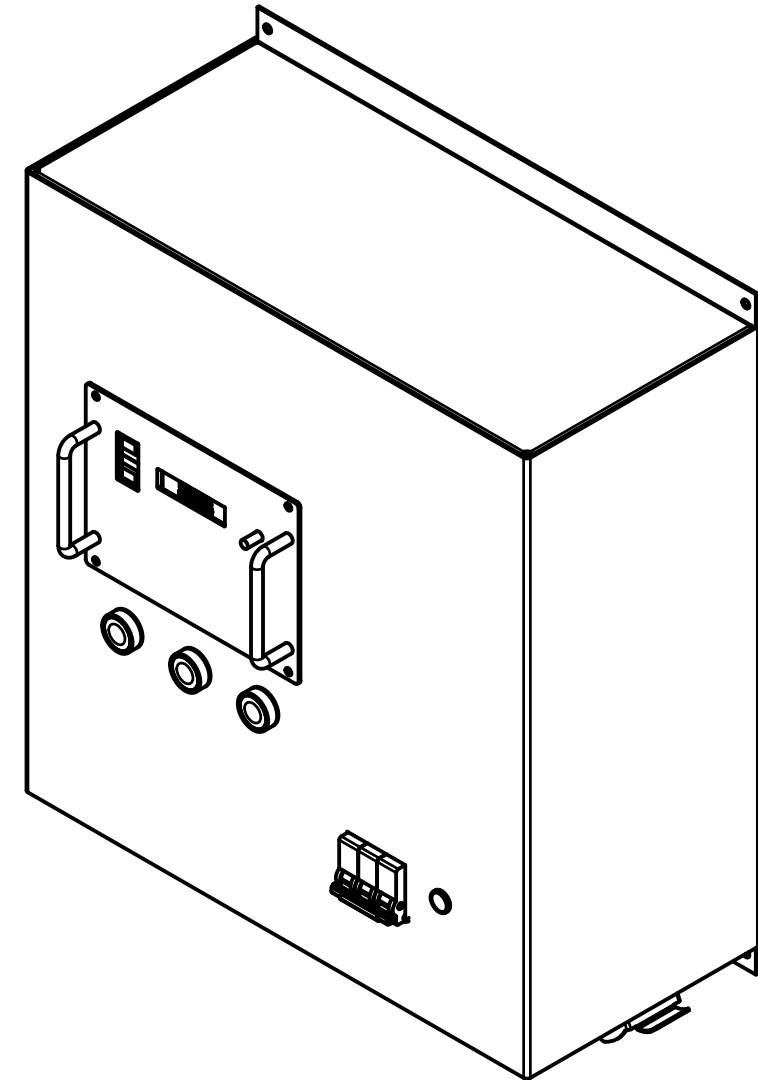
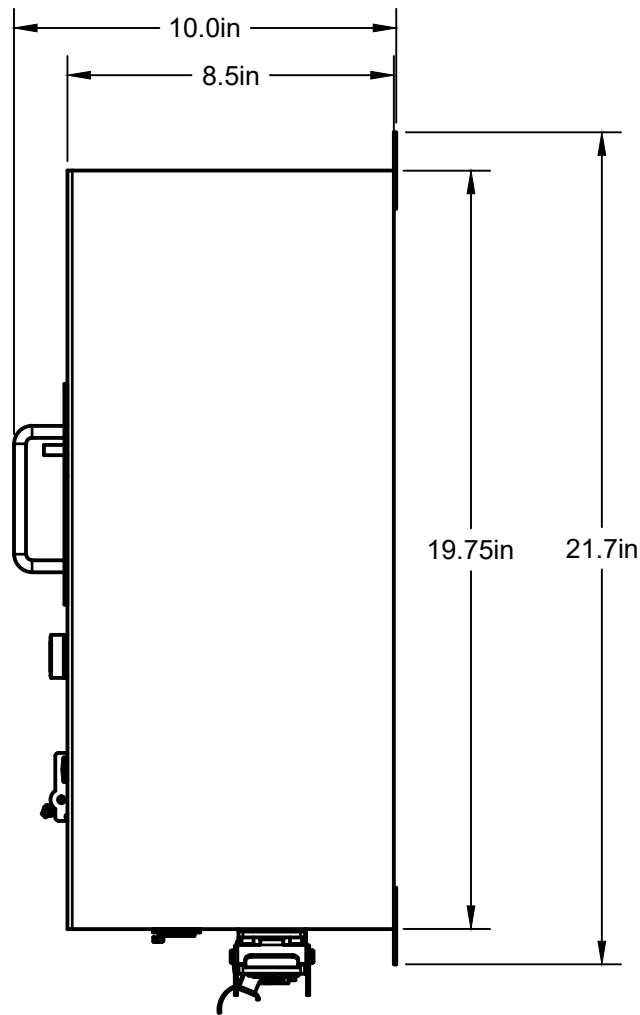
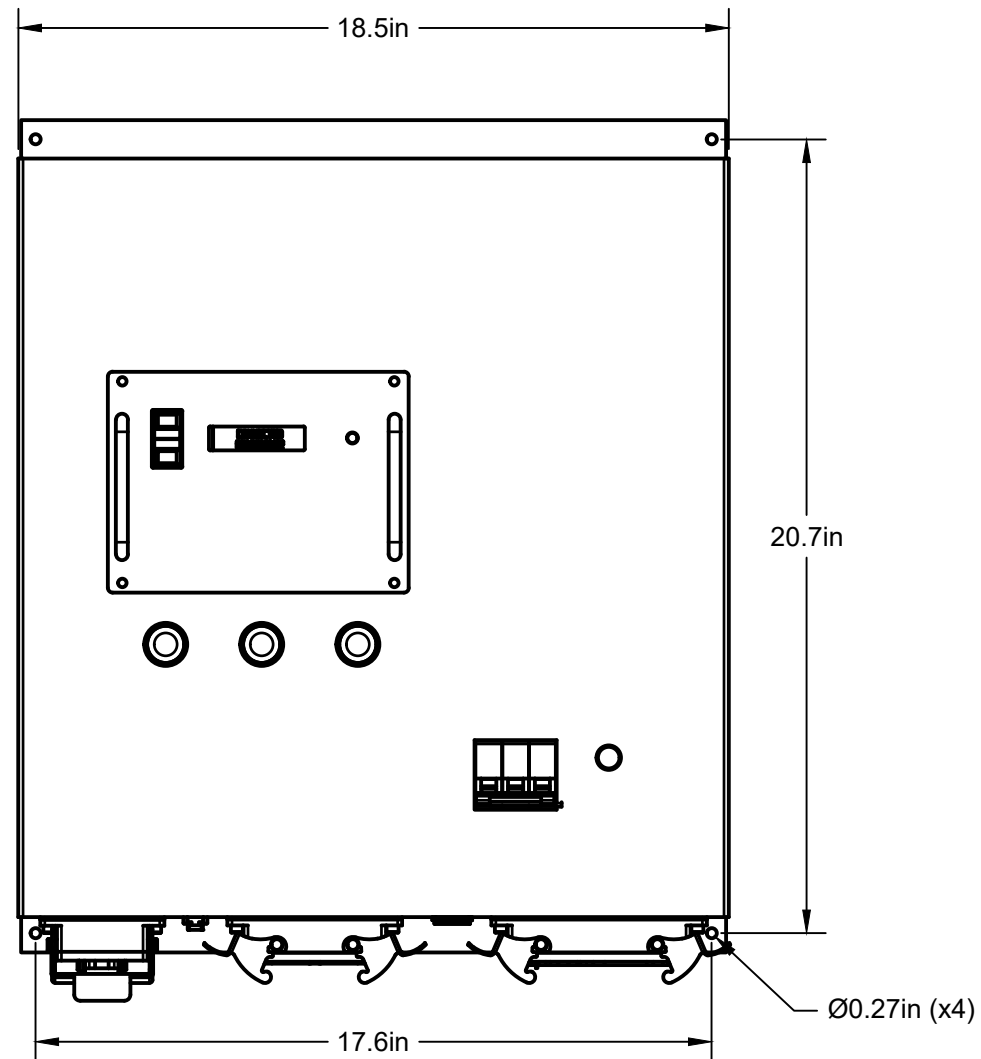


x/x = +/- 1/16"  
 .xx = +/- 0.010  
 .xxx = +/- 0.003



PROJECT  
 Stagehand Architectural

TITLE  
 ENCLOSURE OVERVIEW

This drawing is the property of Creative Conners, Inc. Copyright 2017. All rights reserved.

APPROVED	SIZE	CODE	DWG NO	REV
CHECKED	B			
DRAWN Steve Hnath4/18/2017	SCALE 1:5	WEIGHT	SHEET 1/1	